

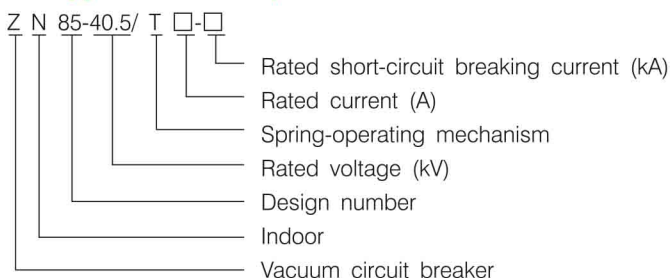


ZN85-40.5(3AV3) Vacuum Circuit Breaker, Indoor Type

1. General

- 1.1 Ratings: voltage up to 35kV, current up to 2000A, AC50Hz.
- 1.2 Application: for the control and protection of substation and equipments. Making and breaking short-circuit current under various operating status of electric network.
- 1.3 Standard: IEC62271-100

2. Type and Interpretation



3. Working Condition

- 3.1 Ambient air temperature: $-15\sim +40^{\circ}\text{C}$
- 3.2 Altitude: $\leq 1000\text{m}$
- 3.3 No operating in such places as subject to dust, smog, corrosive/flammable gas, vapor and salt pollution.
- 3.4 Humidity: Daily average value $\leq 95\%$
Monthly average value $\leq 90\%$
- 3.5 Water vapor pressure: Daily average value $\leq 2.2\text{kPa}$
Monthly average value $\leq 1.8\text{kPa}$
- 3.6 The external shocking and earthquake could be neglected.
- 3.7 The amplitude of electromagnetic interference in the secondary system $\leq 1.6\text{kV}$.

※ Note:

1. Customized products for other special working conditions are available on your requirements.
2. We have developed products suitable for high altitude.

4. Main Technical Parameter

| Item | Data |
|--|--|
| Rated voltage | kV 40.5 |
| Rated insulation level | 1min power frequency withstand voltage (virtual) kV 95 Rated lightning impulse withstand voltage (virtual) kV 185 |
| Rated current | A 630 1250 1600 2000 |
| Rated frequency | Hz 50 |
| Rated short-time withstand current | kA 20 25 31.5 |
| Rated withstand current (peak) | kA 50 63 80 |
| Rated short-circuit breaking current | kA 20 25 31.5 |
| Rated short-circuit making current (peak) | kA 50 63 80 |
| Rated duration of short-circuit | s 4 |
| Rated operating sequence | O-0.3s-CO-180s-CO |
| Breaking time | ms <80 |
| Breaking times of rated short-circuit making current | Times 20 |
| Rated capacitor bank breaking current | A 400 |
| Mechanical life | Times 10000 |
| Rated operating voltage | V -110/~110, -220/~220 |

6 Overall and Installation Dimension

Fig.1 Trolley type circuit breaker ZN85-40.5

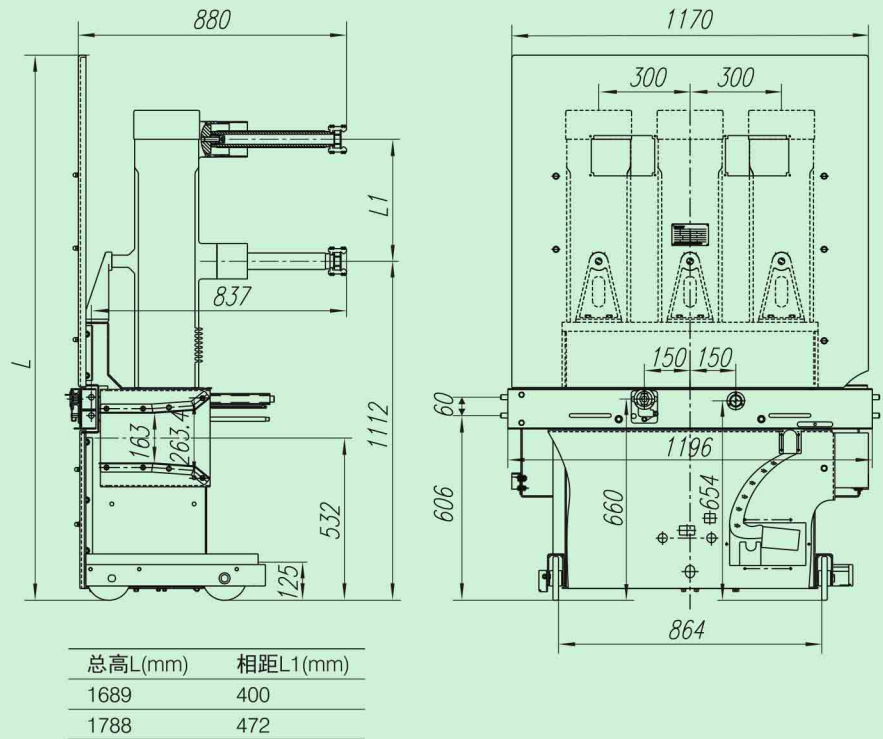


Fig.2 Side-mounted circuit breaker ZN85-40.5

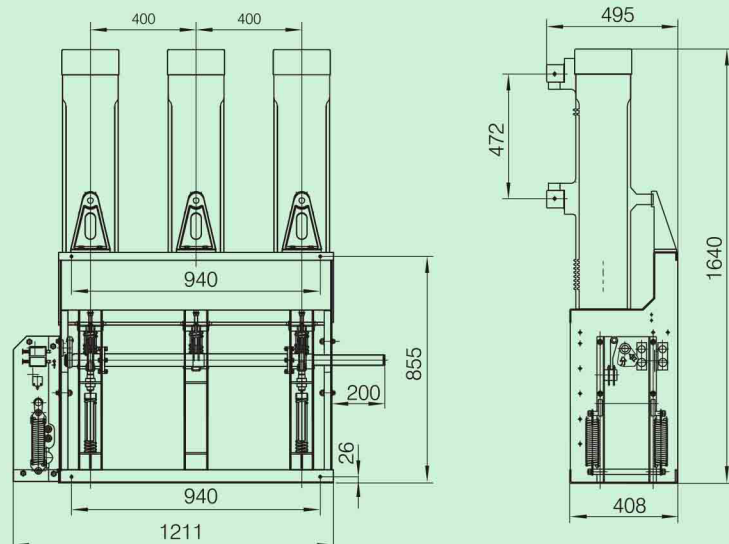
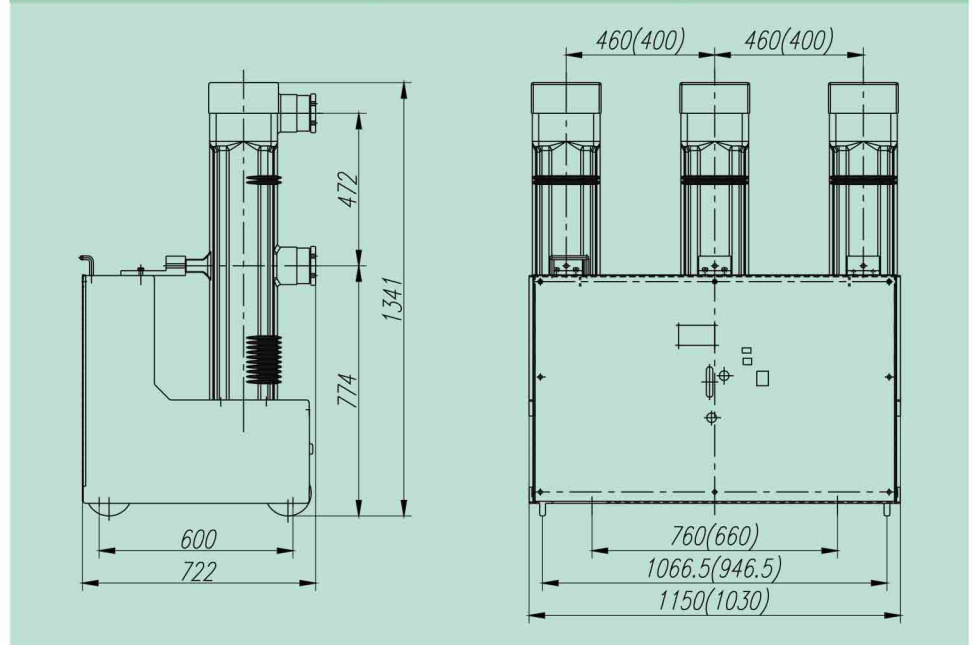


Fig.3 Overall dimension of fixed type circuit breaker ZN85-40.5



7. Ordering Information

Please indicate the following items when order:

- 6.1 Type, name and quantity.
 - 6.2 Rated voltage, rated current and rated short-circuit breaking current.
 - 6.3 Rated operating voltage.
 - 6.4 Name and quantity of spare parts.
- ※ Customized products are available per your requirements.