



Company profile:

WenZhou ENBOLI Electric co., Ltd was established in 1998. The company's existing industrial park is 30 acres and the factory area is 70,000 square meters. Its subsidiaries are engaged in power transformers below 110KV, high-voltage components below 110KV, complete sets of electrical appliances below 35KV, power fittings, wires and cables, fuses, distribution boxes and other power transmission and distribution products.



The company has 1,200 employees, including 50 managers and 12 technicians. The annual production amount reaches 380 million. The key processes of the products use automatic monitoring instruments and equipment, and advanced SAP management software is introduced to digitally manage the production and operation process.

The company has KEMA international certification, ISO9001 quality management system certification, IOS14001 environmental management system certification, OHSAS18001 occupational health and safety management and other system certifications, and has passed the International Electrotechnical Association (IEC) CE, American TUL and other international system certifications.





恩波利
ENBOLI

Production workshop

The first-class talent, first-class technology, first-class facilities and a first-class management system forward a first-class production line. In order to ensure a highly efficient operation of the first production line, the company adopts multimodes and multi-means of management to enhance the working efficiency. We train the technical personnel to perfect equipment operation and advance automatic technology skills. We also actively implement the "6S" policy to energize logistics management and the effectiveness of each post, forming a common awareness of efficient and high-quality production, so as to promote the development of economic system of our company.



Assembly workshop



Core Workshop



Winding Workshop



H.V Testing Hall

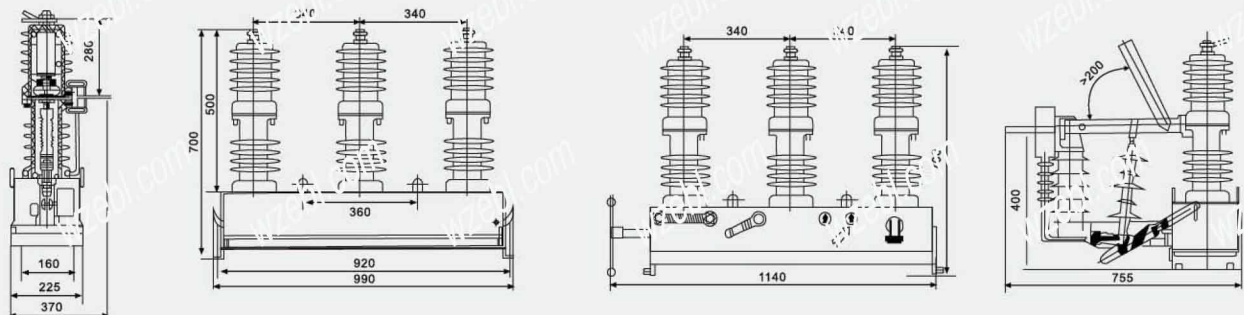
ZW32-12~24KV Overview

ZW32-12~24kV type outdoor high voltage VCB, is suitable for the 3-phase power system with AC 50HZ, voltage 10-12KV, used as breaking, closing load current. It has the function of overload and short circuit protection, can meet the requirements of controlling and measurement. It also can be used as remote control, monitoring, etc. It is suitable for controlling and protecting equipment for substation and mining enterprises power system, also suitable for the places with frequently operation in rural power grid.



Outdoor Vacuum Circuit Breaker Series

ZW32-12~24kV Outline & Mounting Dimensions



ZW32-40.5F(M) overview

ZW32-40.5F(M) outdoor high voltage intelligent (permanent magnet) vacuum circuit breaker is mainly composed of integrated solid seal pole, current transformer, operating mechanism and box. Can be equipped with isolation switch, this type of circuit breaker is miniaturized design, the shell is made of high quality steel box. The current transformer can be selected according to the user's needs.



Normal Service Condition:

- Ambient temperature: no higher than +40°C, no lower than -15°C.
- Air relative humidity: daily average is not more than 95%, monthly average is not more than 90%.
- The altitude should not exceed 1000 meters.
- The intensity of the earthquake should not exceed 8 magnitude;
- Place free from fire, explosion, serious pollution, chemical corrosion and violent vibration.

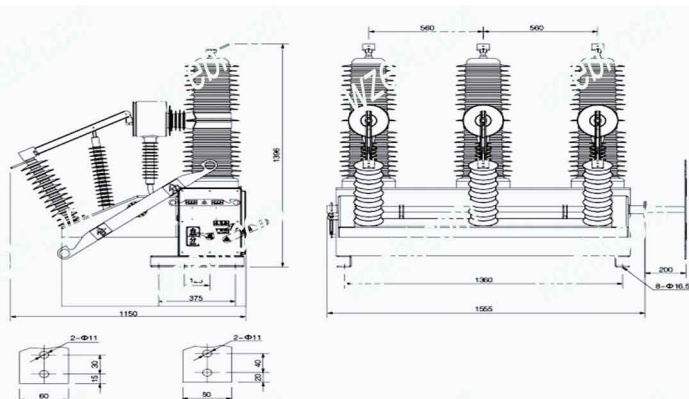
Note: If the customer has any other special requirements, you may put forward at the time of ordering, we will give you our utmost satisfaction.

Main Technical Parameter:

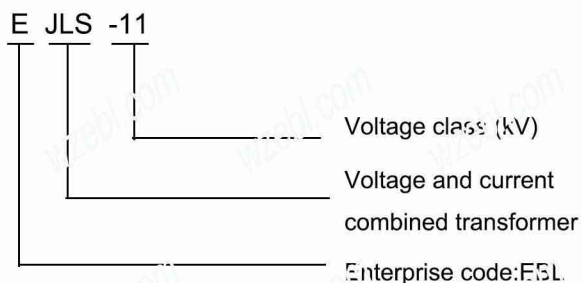
Item No.	Unit	Parameters
Rated voltage	kV	40.5
Rated current	A	630/1250
Rated frequency	Hz	50 or 60
Power frequency withstand voltage 1min(wet) dry phase, to the ground/fracture	kV	80/95/95
Lightning impulse clearance current (peak) phase to phase, ground/fracture	kV	155
Rated short-circuit breaking current	kA	20/25/31.5
Rated short-circuit closing current (peak)	kA	63/80
Rated peak tolerable current	kA	63/80
4S short-time current tolerance	kA	25/31.5
Rated operating cycle		off-0.1s-on/off-3s-on/cut-s-60s recovery
Number of breaking of rated short circuit current	Times	30
Mechanical life	Times	10000
Mechanism control voltage	V	AC/DC220
Secondary circuit 1min power frequency withstand voltage	kV	2

Outdoor Vacuum Circuit Breaker Series

ZW32-40.5F(M) Outline & Mounting Dimensions



EJLS-11 Overview



High voltage metering case, which is named combined transformer without wattmeter. As AC oil-immersed outdoor type (also applicable for indoor), it is for directly measuring active energy and reactive energy in the high voltage circuit, and suitable for three-phase AC system network for rated frequency 50/60Hz and voltage 11kV, 10kV, 6kV, 3kV, due to high accuracy, light weight, simple installation and anti-stealing electricity, the product is popular with lots of power supply departments.

Three-phase three-wire metering case is made up of two single-phase voltage and current transformers, and three-phase four-wire metering case is composed of three single-phase voltage and current transformers. The transformers are installed in the case, primary and secondary outgoing wires are installed on the panel with the porcelain bushing, watt-hour meter equipped with outside is used for measuring.

EJLS-11、10、6、3 Some technical parameters of EJLS-35,10,6,3,voltage part

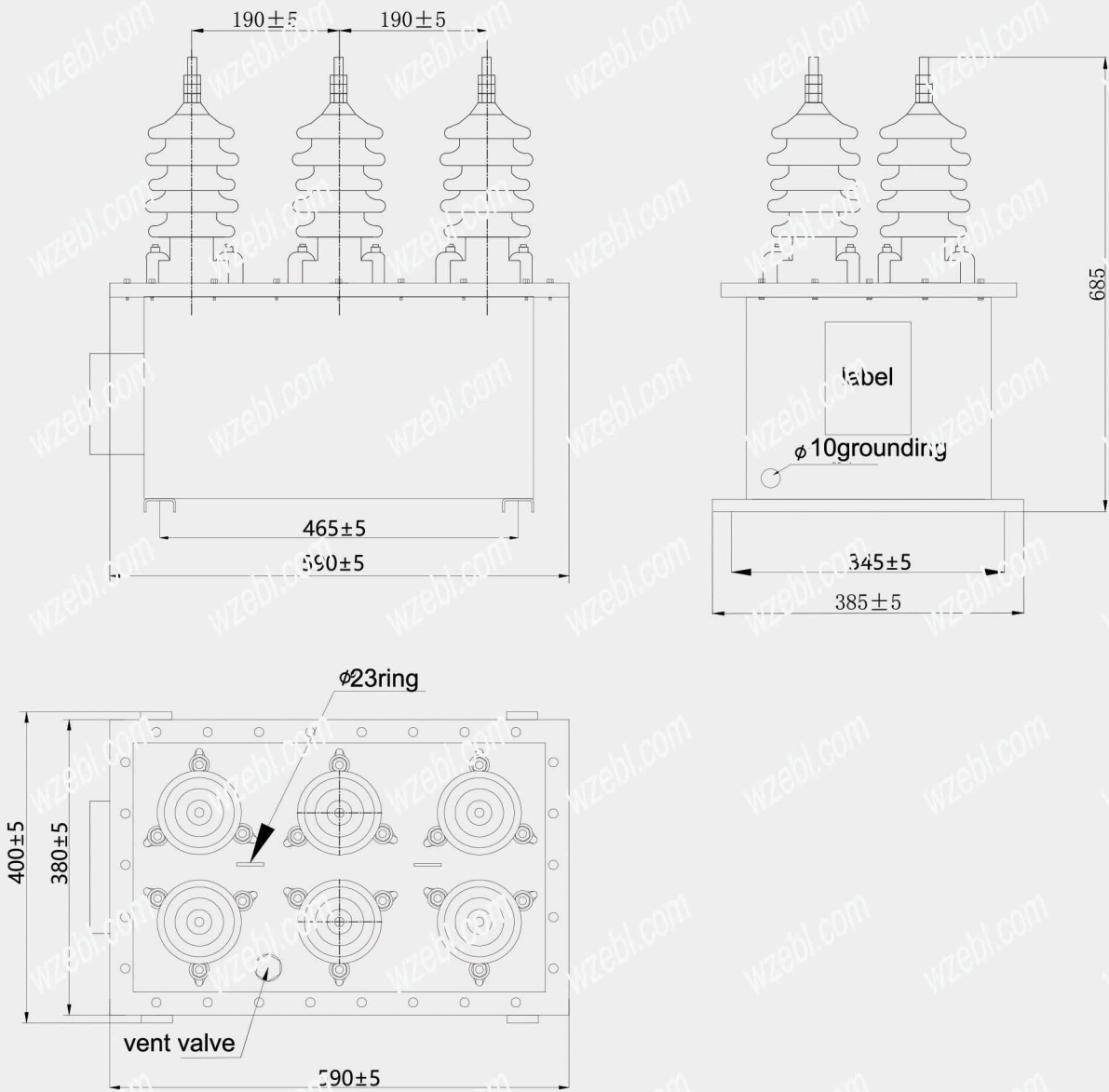
Rated primary Voltage (kV)	Max Primary Voltage(kV)	Rated secondary voltage (kV)	Rated load and accuracy		Max.Capacity (VA)	Primary power frequency withstand voltage(kV)	Rated insulation -level
			0.2	0.5			
11	12	110	15	25	300	42	12/42/25

EJLS-11、10、6、3 Some technical parameters of EJLS-35,10,6,3,current part

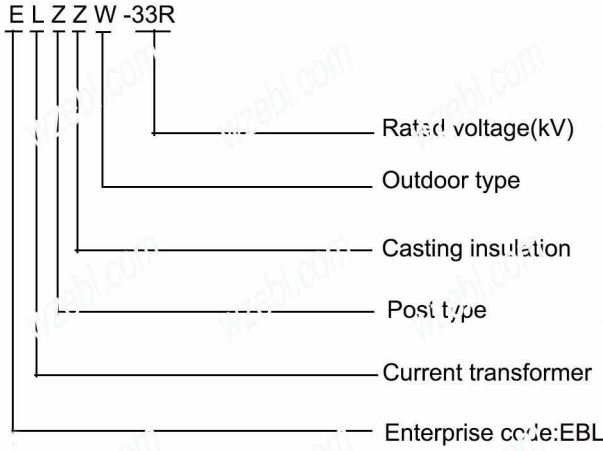
Rated primary current(A)		Rated secondary current(A)	Rated burden(VA)				FS time	Time of is thermal stability current	Time of rated dynamic stability current
			0.2S	0.2	0.5S	0.5			
Single ratio	0.4, 0.5, 5, 7.5, 10, 15, 20, 25, 30, 40, 50, 60, 75, 100, 120, 150, 200, 250, 300, 400, 600, 800	5(1)	10	10	10	10	10	70	120
Double ratio	2.5-5-10, 7.5-15, 10-20, 15-30, 20-40, 25-50, 30-60, 50-75, 100-200, 150-300 2:1-100								

EJLS-11

Overall dimension drawing



ELZZW-33R Overview

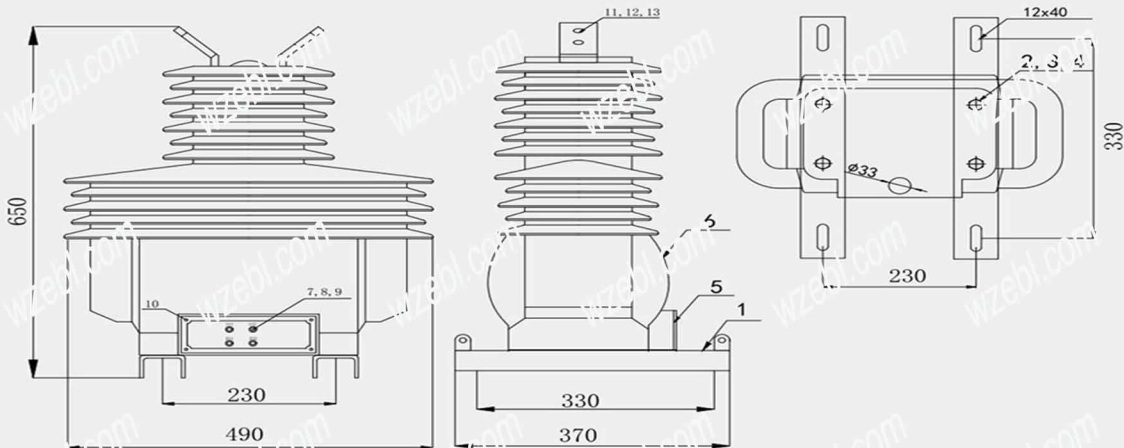


Technical data

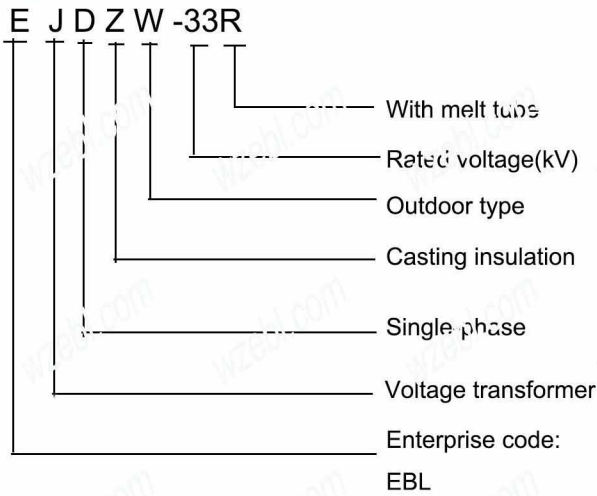
Two windings:0.5/5P

Rated primary Current(A)	Accuracy classes combination	Rated secondary output(V/A)			Short-time thermal current(KA)	Rated dynamic current (KA)
		0.2(S)	0.5	5P20		
20-100	0.2(S)/5P20/5P20	10	15	15	0.06I _n	0.15I _n
150-200					9	22.5
300-500	0.5/5P20/5P20	15	30	20	18	45
600-1200					36	90
1500-2000					80	160

Overall dimension drawing



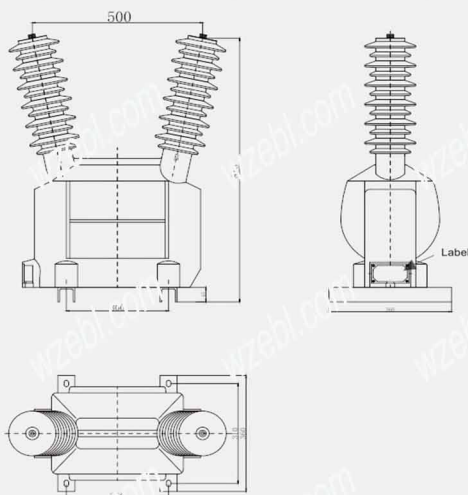
EJDZW-33R Overview



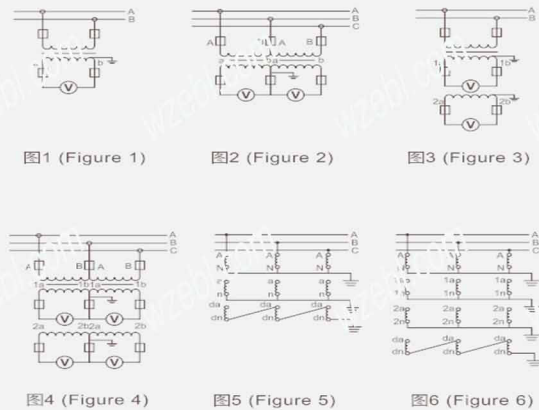
Technical data

Type	Rated voltage ratio(V)	Accuracy class and rated secondary output(A)							Max.output (VA)	Rated insulation level(kV)	Wiring diagram
		0.2	0.5	1	3	0.2/0.2 0.2/0.5	0.5/0.5	6P			
EJDZW-33	33000/100/100	30	50	300	600	/	/	/	1200	36/70/170	Figure 1-2
	33000/100/220	/	/	/	/	30/30 30/40	60/60	/	600/600		Figure 3-4

Overall dimension drawing

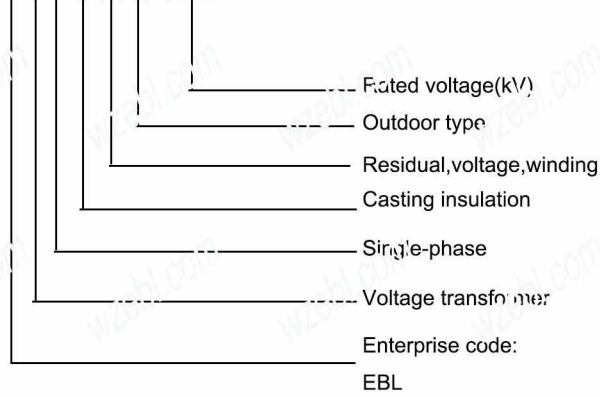


Wiring diagram



EJDZXW-33R

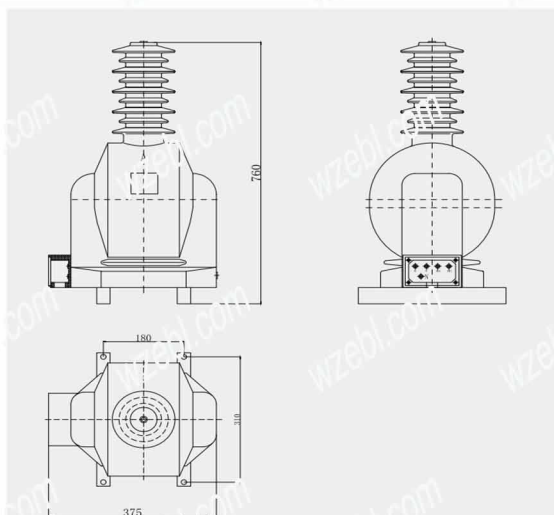
E J D Z X W -33R



Technical data

Rated voltage ration(V)	Accuracy class and rated secondary (VA)							Max.output (VA)	Rated insulation level(kV)	Wiring diagram
	0.2	0.5	1	3	0.2/0.2 0.2/0.5	0.5/0.5	6P			
$\frac{33000}{\sqrt{3}}/\frac{100}{\sqrt{3}}/\frac{100}{3}$	20	30	50	100	/	/	100	500	33/10/170	Figure 1
$\frac{33000}{\sqrt{3}}/\frac{100}{\sqrt{3}}/\frac{100}{\sqrt{3}}/\frac{100}{3}$	/	/	/	/	20/20 20/30	30/30	100	300/300		Figure 2

Overall dimension drawing

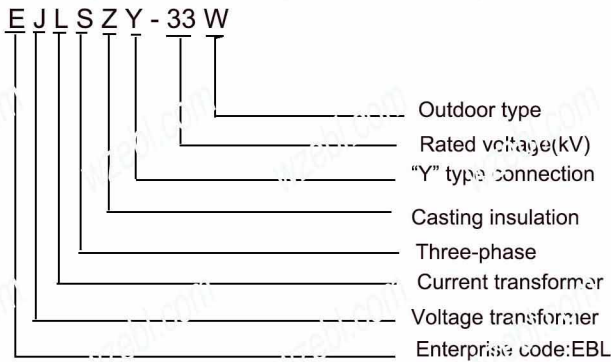


Wiring diagram



EJSZY-33W Overview

Outdoor type combined transformer



Technical data

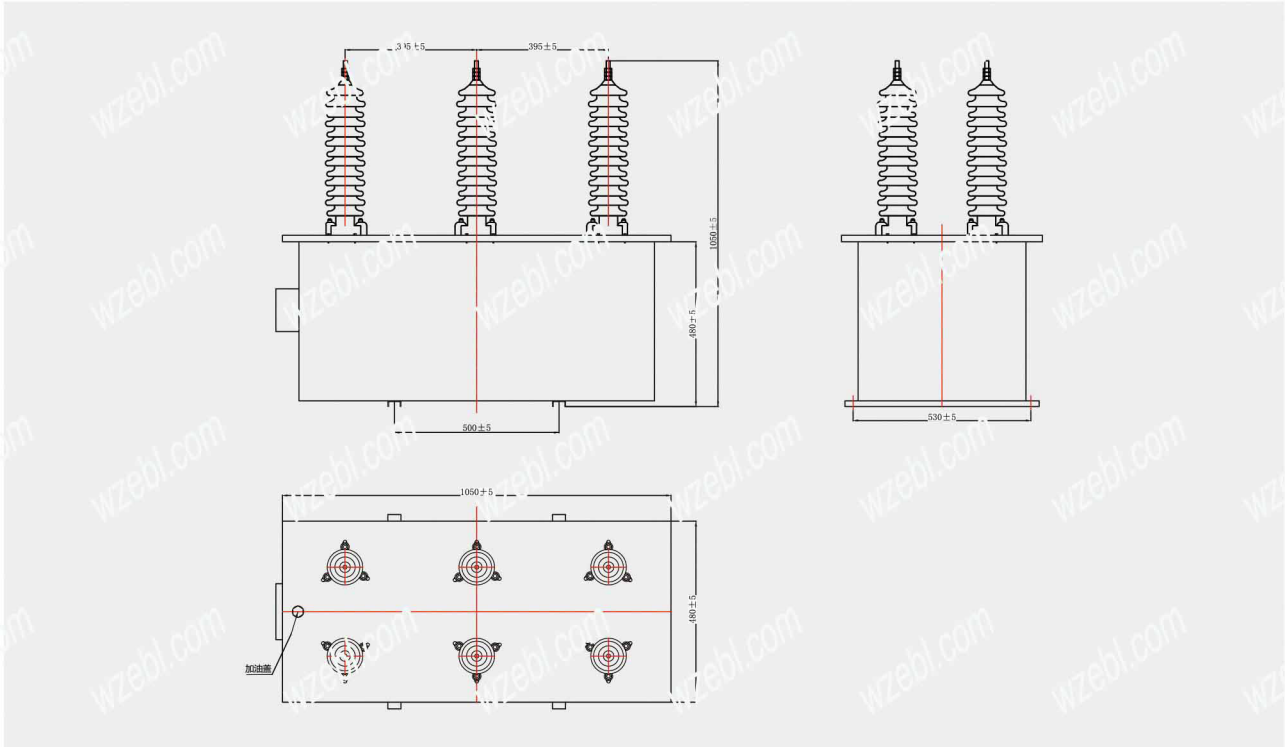
Parameter voltage part

Type	Rated voltage ratio (V)	Accuracy class and rated secondary output(VA)	Max.output VA	Rated insulation level (kV)
EJSZY-35W III	33000/100	0.2---3X15 0.5---3X30	3x500	36.70/170

Rated primary current (A)	Single transformation ratio	Rated secondary output(VA)			Rated short-time thermal current* kA/s	Rated dynamic current (kA)
		(0.2)S	0.5S	0.5		
7.5-10-15	7.5				0.3	0.75
10-15-20	10				0.6	1.5
15-20-30	15				0.9	2.25
20-30-40	20,25				1.2	3
30-40-50	30				1.8	4.5
40-50-75	40				2.4	6
50-75-100	50	10	10	15	3	7.5
75-100-150	75				4.5	11.25
100-150-200	100				6	15
150-200-300	150				9	22.5
200-300-400	200,250				12	30
300-400-500	300				18	45
400-500-600	400				24	60
500-600-800					30	75
500-800-1000					36	90

EJLSZY-35WIII

Overall dimension drawing



Wiring diagram

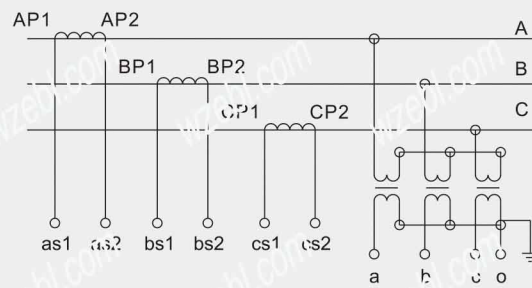


Figure 1

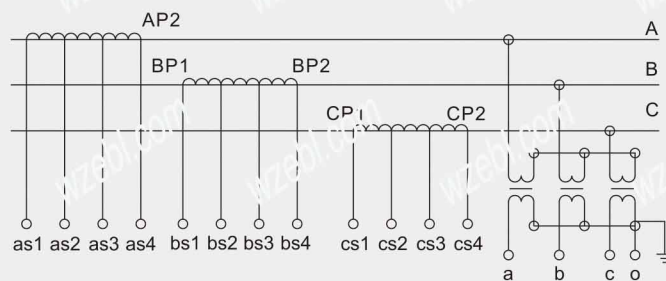
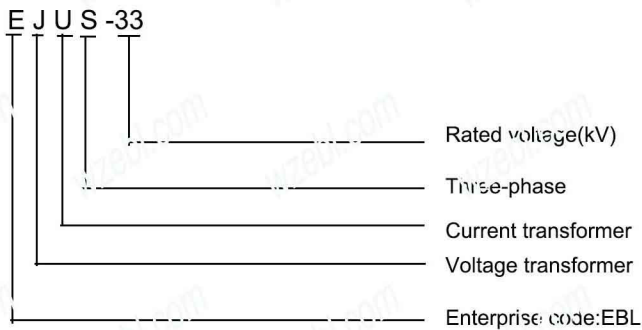


Figure 2

EJUS-33 Overview

High-voltage power metering box



Description & Technical data

The products(metering box) mainly consists two parts,combined transformer and watt-hour meter tank, the former is made up of two or three single-phase voltage transformer and current transformer,which adopts, which adopts 25# mutual induct oil as insulating medium and whose primary and secondary line ends are both installed on the panel by porcelain bushing.Watt-hour meter tank is fixed on the side of combined transformer and comprise one active watt-hour meter and reactive watt-hour meter, which has high-precision measurement, light weight, convenient install-action and electricity theft resistance. The power measuring box is applicable to three-phase system net with rated voltage of 35kV and rated frequency of 50Hz.

- a.Rated voltage: 33KV
- b.:Accuratge grade: 0.5 and 0.2 0.5s and 0.2s
- c.:Rated ratio: ratio-voltage 33000/110
ratio-current 5-300/5 (high ratio-current can made to order);

Type	Rated voltage ratio(KV)	Rated current ratio (KV)	voltage transformer accurate grade and rated output(VA)		Current transformer accurate grade and rated output(VA)		Rated insulation level(KV)
			0.2 class	0.5 class	0.2(S)class	0.5(S)class	
EJLS-33	33000/110	5-300/5	20	30	10	10	36/70/170

This product of high-voltage electric measuring tank has two types, single ratio and double ratio.in double ratio wiring case,heavy current ratio connects AP1,AP2 and CP1,CP2 and light current ratio connects AP3 and CP1,CP3.

The schematic drawing is illustrated as follows:

EJLS-33

Overall dimension drawing

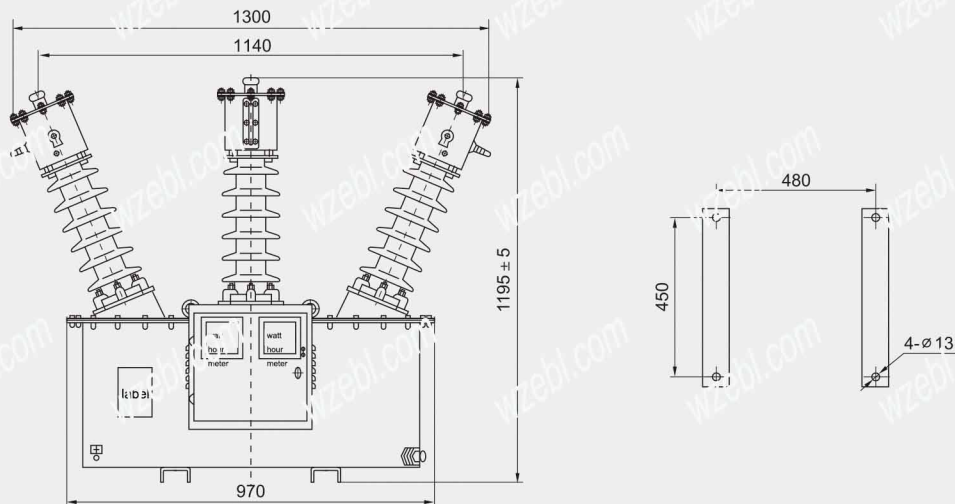


Diagram :3: Outline and installing dimension of 33kV three-phase three-wire measuring tank (three-phase two-component)

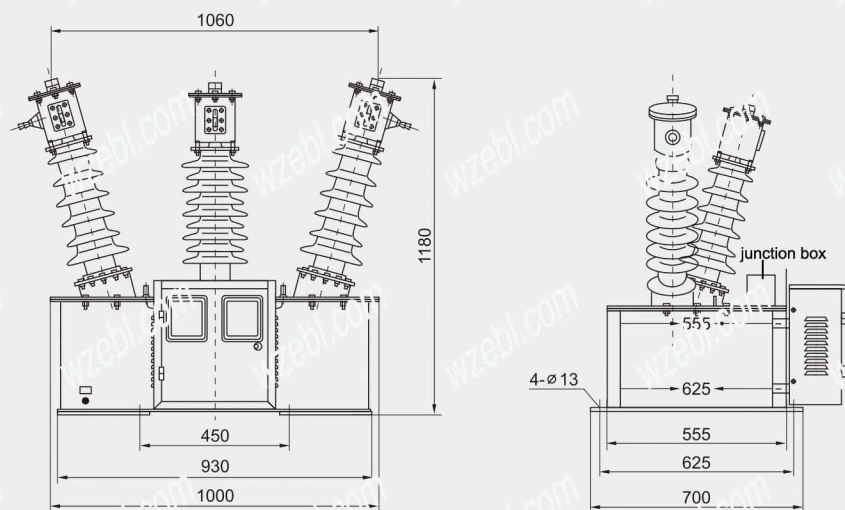
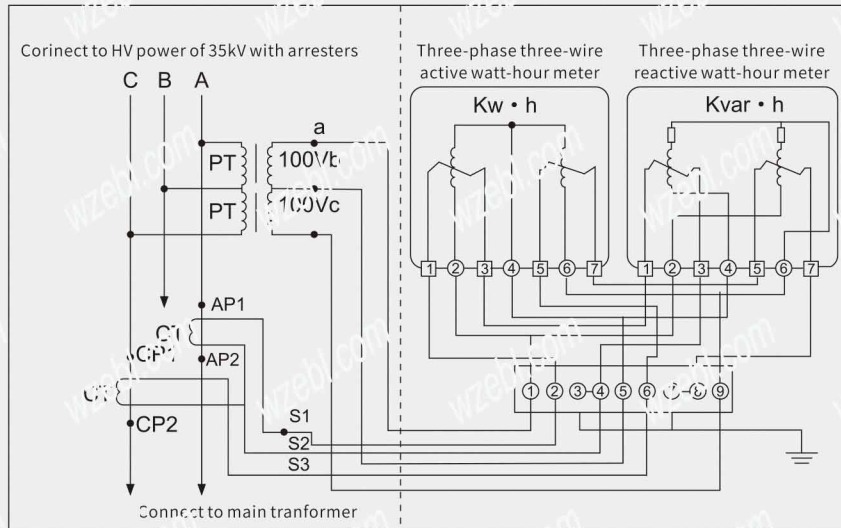


Diagram :4: Outline and installation of 35kV three-phase four-wire measuring tank (three-phase three-component)

EJLS-35

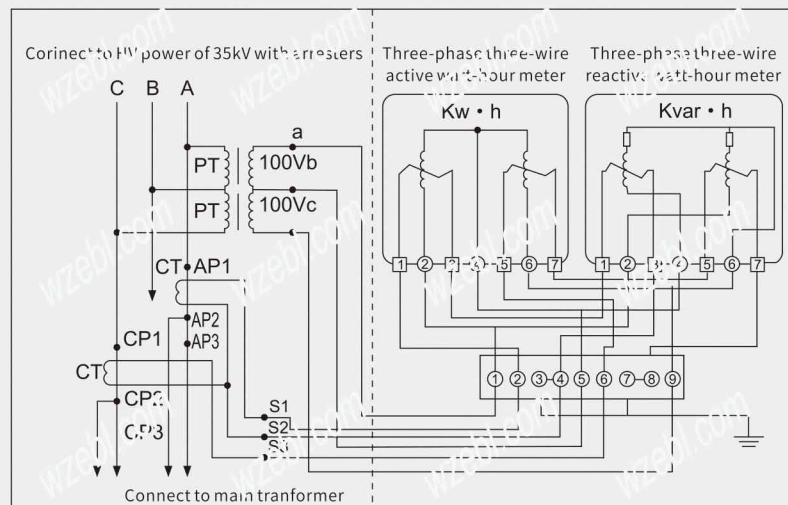
Single ratio diagram



Combined transformer part

Watt-hour meter box part

Double ratio wiring diagram



Combined transformer part

Watt-hour meter box part

other series



Charging pile



Photovoltaic power



DC power supply



XL21 lv panel



JP cabinet



Diesel generator

Website: www.wzebl.com

Email: wzebl@wzebl.com

Tel: 86-577-27885177

Fax: 86-577-27885155

Ad: No. 10, Huxin Road Lushi, Yueqing, Wenzhou, Zhejiang, China.

